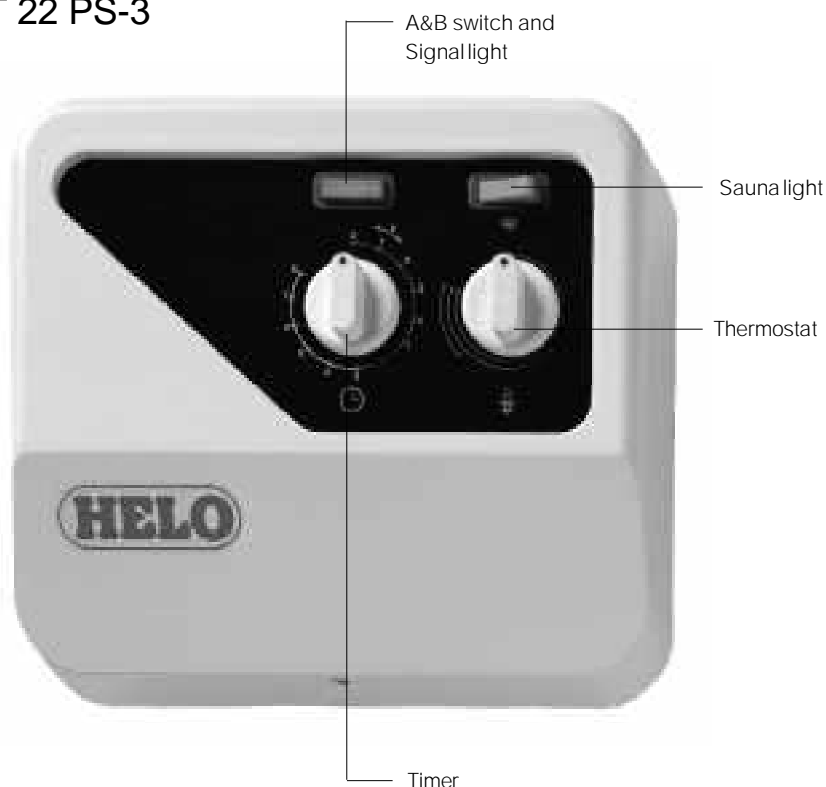


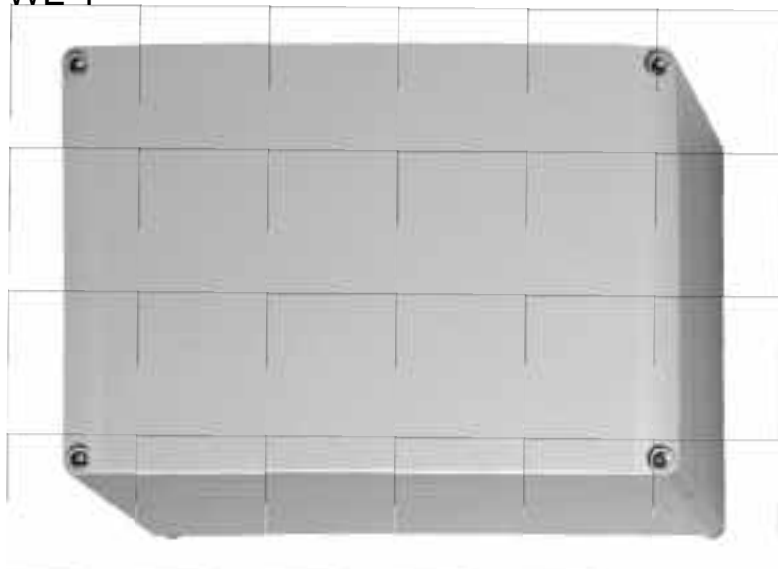
OT 22 PS-3

Control unit for sauna heaters 18 - 26 kW

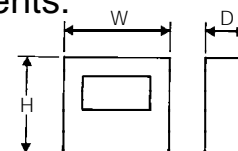
double group system

OT 22 PS-3 + WE 1

Control units (OT 22 PS-3) are equipped with a timer, a thermostat and contactors for I group. The contactors for II group are in the contactor box (WE1).

WE 1**Measurements:**

(mm)



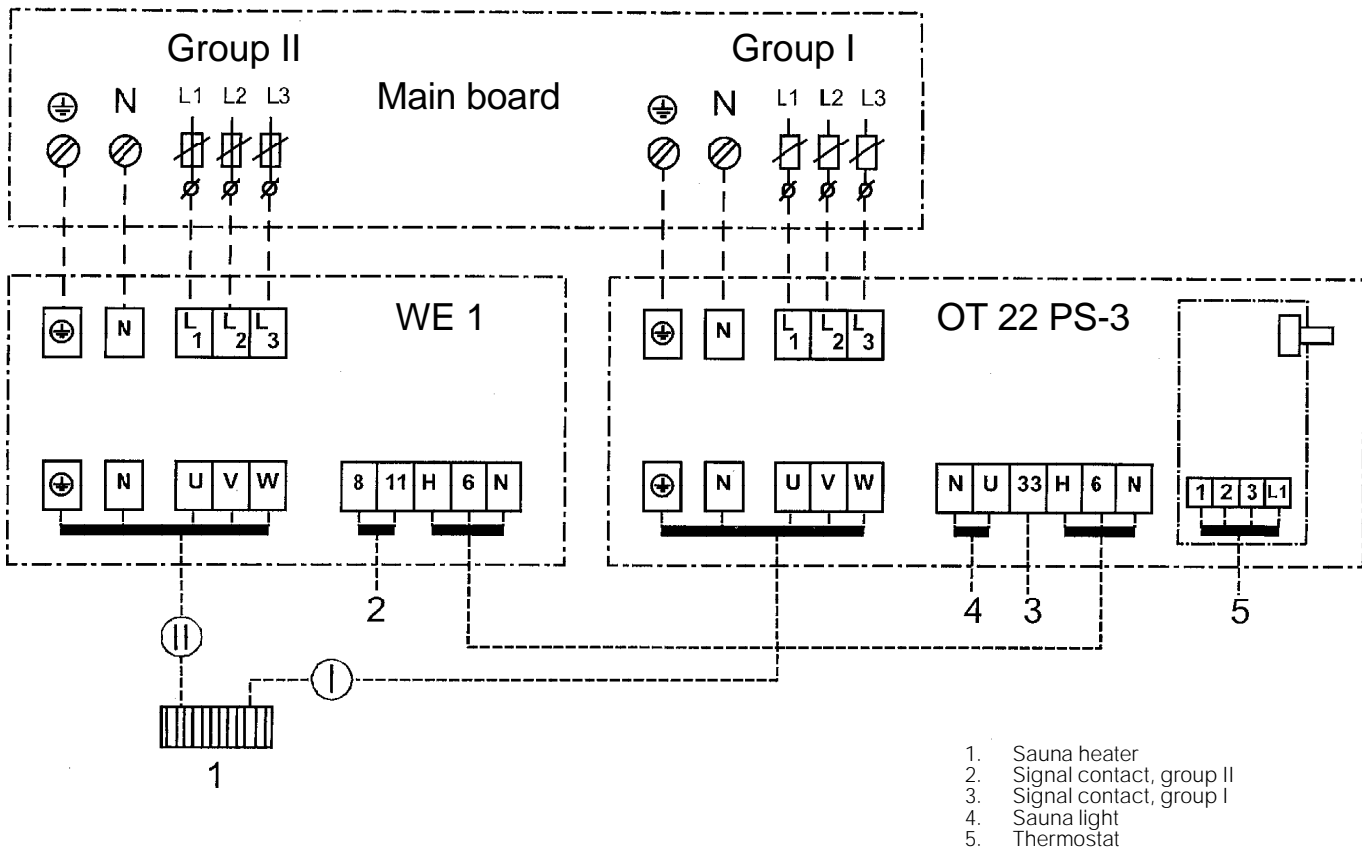
Control unit	Surface model		
	W	H	D
OT 22 PS-3	250	220	80
WE 1	250	175	85

Control unit	OT 22 PS-3	WE 1	Sauna heater type
Assembly	surface	surface	SKLA 181-262
Classification	IP 34	IP 34	
Voltage	400V 3N~	400V 3N~	
Timer	A: 0 - 8 h pre-set and 0 - 4 h heating time B: 0 - 12 h heating time		
Thermostat	OLET 6 - 1 with re-setable temperature limit switch included in the delivery		

The products are CE, (F) approved

Electrical connections

Sauna heater	Power kW	Fuse		Cables mm ² (min)		
				To the heater and the control unit		To the thermostat (heat resisting cable)
		I A	II A	I	II	
SKLA 181	18,0	16	16	5 x 2,5 S	5 x 2,5 S	4 x 0,25
SKLA 210	21,0	16	20	5 x 2,5 S	5 x 4 S	4 x 0,25
SKLA 262	26,0	16	25	5 x 2,5 S	5 x 6 S	4 x 0,25



Optional equipment

Locking cover SY-ZZL 12