

## 11. Spare Parts

*	C01	C02	C06	C10	C17	C22	C30	C45	C58	Article No.	Description
<b>Steam generation</b>											
	1									B-3216131	Steam cylinder CY1 DN20 compl. with electrodes and hand nuts *
		1								B-3204049	Steam cylinder CY2 DN20 compl. with electrodes and hand nuts *
			1							B-3216067	Steam cylinder CY4 compl. with electrodes and hand nuts *
				1						B-3204031	Steam cylinder CY8 DN25 compl. with electrodes and hand nuts *
				1						B-2204231	Steam cylinder CY8 DN40 compl. with electrodes and hand nuts *, for SPA applications since 04.2010
					1					B-2204101	Steam cylinder CY17 DN25 compl. with electrodes and hand nuts *
					1					B-2204103	Steam cylinder CY17 DN40 compl. with electrodes and hand nuts *, for SPA applications since 04.2010
11						1				B-2204151	Steam cylinder CY17 DN40 compl. with 3 electrodes and hand nuts *
							1			B-2204111	Steam cylinder CY17 DN40 compl. with 6 electrodes and hand nuts *
								1		B-2204105	Steam cylinder CY30 compl. with electrodes and hand nuts *
									1	B-2204109	Steam cylinder CY45 compl. with electrodes and hand nuts *
17	1									E-3216044	O-ring seal for cylinder flange
17			1							E-3216046	O-ring seal for cylinder flange
17		1		1						E-3216010	O-ring seal for cylinder flange
17					1	1	1			E-2206050	O-ring seal for cylinder flange
17								1		E-2206051	O-ring seal for cylinder flange
17									1	E-2207011	O-ring seal for cylinder flange
35			1	1						E-3216011	O-ring seal for cylinder base
35					1	1	1	1	1	E-2204022	O-ring seal for cylinder base
48	1									B-3204069	Electrodes without hand nuts, set=2pc. for CY1
49	1	1								B-2207099	Hand nuts, set=2pc., for CY2
48		1								B-3204043	Electrodes without hand nuts, set=2pc. for CY2
48			1							B-3216063	Electrodes without hand nuts, set=3pc. for CY4
49			1							B-2207101	Hand nuts, set=3pc., for CY4 & CY8
48				1						B-3204021	Electrodes without hand nuts, set=3pc. for CY8
49				1						B-2207101	Hand nuts, set=3pc., for CY4 & CY8
48					1					B-2204087	Electrodes without hand nuts, set=3pc. for CY17
49					1	1				B-2207103	Hand nuts, set=3pc., for CY17
48						1				B-2206221	Electrodes without hand nuts, set=3pc. for CY17, CY30 DN40
48							1			B-2204089	Electrodes without hand nuts, set=6pc. for CY17 DN40
49							1	1		B-2207105	Hand nuts, set=6pc., for CY17 & 30
48								1		B-2204093	Electrodes without hand nuts, set=6pc. for CY30 DN40
48									1	B-2204091	Electrodes without hand nuts, set=6pc. for CY45 DN40
49									1	B-2207107	Hand nuts, set=6pc., for CY45
10	1									B-3204073	Sensor electrode compl. with hand nut
10		1								B-3204047	Sensor electrode compl. with hand nut
10			1							B-3204037	Sensor electrode compl. with hand nut
10				1						B-3204027	Sensor electrode compl. with hand nut
10					1	1	1	1	1	B-2204075	Sensor electrode compl. with hand nut
10	1	1	1	1	1	1	1	1	1	E-3216025	Plug-in contact with insulating hose for sensor electrode
4	2		3	3						E-3216024	Plug-in contact with insulating hose for electrodes
4					3	3	6	6		B-2206065	Plug-in contact with insulating hose for electrodes
4									6	E-2207016	Plug-in contact with insulating hose for electrodes
18	8	12	12	12	18	18	18	24	36	E-3216022	Cylinder flange clamp
37	1	1	1	1						E-3220000	Cylinder base DN 20/25i/15/12
37					1	1	1	1	1	E-2206086	Cylinder base DN 40/25i/15/12
		1	1	1						B-3216023	Mounting set for cylinder base
					1	1	1	1	1	B-2214023	Mounting set for cylinder base
12	1	1	1							E-3216020	Condensate cap DN9
12				1	1	1	1	1	1	E-2204035	Condensate cap DN12

*	C01	C02	C06	C10	C17	C22	C30	C45	C58	Article No.	Description
1	1	1	1							E-3221000	Adapter DN20/25 for Steam hose DN25
1				1						E-3221002	Adapter for steam hose DN25
1				1						E-3221008	Adapter for steam hose DN40, for SPA applications since 04.2010
1					1					E-2209000	Adapter for steam hose DN25
1					1					E-2209004	Adapter for steam hose DN40, for SPA applications since 04.2010
1						1	1			E-2209004	Adapter for steam hose DN40
1								1		E-2209006	Adapter for steam hose DN40
1									2	E-2209008	Adapter for steam hose DN40
					1					E-2209014	Adapter steam outlet DN40/25
2	1	1	1	1	1					E-3221004	Clip for adapter DN25
2						1	1	1	2	E-2209002	Clip for adapter DN40
3	1	1	1							E-3216011	O-ring for adapter DN20/25
3				1	1					E-3221006	O-ring for adapter DN25
3				1	1					E-2204022	O-ring for adapter DN40, for SPA applications since 04.2010
3							1	1	2	E-2209010	O-ring for adapter DN25 (until October 2003)
3						1	1	1	2	E-2204022	O-ring for adapter DN40 (until October 2003)
	1									B-3216011	O-ringset for C01
		1								B-3216069	O-ringset for C02
			1							B-3216071	O-ringset for C06
				1						B-3216073	O-ringset for C10
				1						B-3216099	O-ringset for C10, for SPA applications since 04.2010
					1					B-2207021	O-ringset for C17
					1					B-2207019	O-ringset for C17, for SPA applications since 04.2010
						1				B-2207019	O-ringset for C22
							1			B-2207023	O-ringset for C30
								1		B-2207025	O-ringset for C45
									1	B-2207027	O-ringset for C58
<b>Water feed</b>											
21	0,7	0,7	0,8	0,9	0,9	0,9	0,9	0,9	1,6	E-2604002	Connecting hose, solenoid valve - cylinder base, per m
25	1	1	1							B-2304081	Solenoid valve, servo controlled, 0,2 - 10bar, 1,2 l/min at 5 bar
25				1						B-2304083	Solenoid valve, servo controlled, 0,2 - 10bar, 2,5 l/min at 5 bar
25					1	1	1	1	1	B-2304085	Solenoid valve, servo controlled, 0,2 - 10bar, 3,3 l/min at 5 bar
	1	1	1							B-2304059	Double solenoid valve for Super flush applications, 2,5l/min at 5 bar
				1						B-2304061	Double solenoid valve for Super flush applications, 2,5l/min at 5 bar
					1	1	1	1	1	B-2304069	Double solenoid valve for Super flush applications, 3,5l/min at 5 bar
	1	1	1	1	1	1	1	1	1	E-2304036	Sealing for solenoid valve/unit
56	1	1	1	1	1	1	1	1	1	B-2304031	Hose for water connection, 3/4" cap nuts on both sides
38	0,4	0,4	0,4	0,4	0,6	0,6	0,6	0,6	0,8	E-2604004	Hose for manual water drain
20	1	1	1	1	1	1	1	1	1	E-2604062	Stopper, conical, lock for hose
22	4	4	4	4	4	4	4	4	4	E-2304015	Hose clamp 10-16mm
24	0,1	0,1	0,1	0,1	0,1	0,1	0,1	0,1	0,1	E-2604002	Connecting hose solenoid valve - bush for earthing
23	1	1	1	1	1	1	1	1	1	E-2304080	Bush for earthing
58	1	1	1	1	1	1	1	1	1	E-2604094	double check valve

*	C01	C02	C06	C10	C17	C22	C30	C45	C58	Article No.	Description
64			1	1	1	1	1	1	1	B-3320403	HyFlow with air-vent
60			0,3	0,5	0,5	0,5	0,5	0,6	0,6	E-7600186	Connecting hose: bush for earthing-HyFlow
61			1	1	1	1	1	1	1	E-7600094	Connecting piece, straight
62			1	1	1	1	1	1	1	E-2304078	Bush for earthing (HyFlow)
63			1							E-2304074	Solenoid valve, servo controlled, straight type, 0,2-10bar, 1,1l/min. at 10 bar, John-Guest connection 8mm
63				1						E-2304064	Solenoid valve, servo controlled, straight type, 0,2-10bar, 2,5l/min. at 10 bar, John-Guest connection 8mm
63					1	1	1	1	1	E-2304072	Solenoid valve, servo controlled, straight type, 0,2-10bar, 3,4l/min. at 10 bar, John-Guest connection 8mm
65			0,4	0,6	0,6	0,6	0,6	0,7	0,8	E-2604004	Connecting hose HyFlow-cylinder base
66			0,4	0,4	0,6	0,6	0,6	0,7	0,8	E-7600224	Connecting hose HyFlow-drain
67										E-8501064	Hose clamp 12-22mm
											<b>Water drain</b>
	1									B-3401005	Pump-drain-hose-system (Pos. 6, 14, 15, 30, 31)
		1								B-3401007	Pump-drain-hose-system (Pos. 6, 14, 15, 30, 31)
			1							B-3401015	Pump-drain-hose-system (Pos. 6, 14, 15, 30, 31)
				1						B-3401017	Pump-drain-hose-system (Pos. 6, 14, 15, 30, 31)
					1	1	1			B-3401019	Pump-drain-hose-system (Pos. 6, 14, 15, 30, 31)
								1		B-3401013	Pump-drain-hose-system (Pos. 6, 14, 15, 30, 31)
									1	B-3401021	Pump-drain-hose-system (Pos. 6, 14, 15, 30, 31)
31	1	1	1	1	1	1	1	1	1	E-3220005	O-ring for pump - cylinder base
31	1	1	1	1	1	1	1	1	1	E-3220005	O-ring for pump - adapter
32	1	1	1	1	1	1	1	1	1	B-2404027	Drain pump without mounting set
	1	1	1	1	1	1	1	1	1	E-2404024	O-ring for drain pump (cover-motor)
57	1	1	1	1	1	1	1	1	1	E-2420423	Drain hose 1 1/4"
	1	1	1	1	1	1	1	1	1	B-2424014	Mounting set for drain pump
6	1	1	1	1	1	1	1	1	1	E-2425004	Elbow with vent pipe
39	1	1	1	1	1	1	1	1	1	E-8501064	Hose clamp 12-22mm
	1	1	1	1	1	1	1	1	1	B-2424014	Mounting set for drain pump (pos. 42-44)
											<b>Electronic Universal</b>
	1	1								E-2507040	Main contactor 20A, 230V
			1	1						E-2501005	Main contactor 16A, 230V
					1					B-2507041	Main contactor 20A, 230V
						1	1			B-2507061	Main contactor 35A, 230V
								1		B-2507071	Main contactor 50A, 230V
									1	B-2507081	Main contactor 65A, 230V
	1	1	1	1	1		1	1	1	E-2505206	Control fuse 1,6A, 5x20 mm
4	1	1									
4			1	1						B-3526019	Connecting cables for electrodes with plug-in contact, set=3pc
4					1					B-2524201	Connecting cables for electrodes with plug-in contact, set=3pc
4						1				B-2524249	Connecting cables for electrodes with plug-in contact, set=3pc
4							1			B-2524205	Connecting cables for electrodes with plug-in contact, set=6pc
4								1		B-2524209	Connecting cables for electrodes with plug-in contact, set=6pc
4									1	B-2524213	Connecting cables for electrodes with plug-in contact, set=6pc
	1	1	1	1	1	1	1			B-2525051	Connecting cable for sensor electrode with plug-in contact, 630mm
									1	B-2525053	Connecting cable for sensor electrode with plug-in contact, 870mm
											<b>Steam generation with electrical supply higher than 500V</b>
					1	1	1			E-2206054	O-ring CY17, silicone, for cylinder flange
									1	E-2206056	O-ring CY30, silicone, for cylinderflange
									1	E-2207014	O-ring CY45, silicone, for cylinderflange
				1	1					B-2208007	Cylinder star CY17/3
						1				B-2208013	Cylinder star CY17/6
								1		B-2208009	Cylinder star CY 30
									1	B-2208011	Cylinder star CY 45
				3		3	6			E-2206059	Plug-in conatct for electrode 35A
									6	E-2207016	Plug-in conatct for electrode 63A

*	C01	C02	C06	C10	C17	C22	C30	C45	C58	Article No.	Description
											<b>Control, electrical supply higher than 500V</b>
					1		1	1	1	E-2504158	Transformer 690V/230V, 25VA
					1		1	1	1	E-2504166	Transformer 660V-690V/230V, 130VA
					1		1	1	1	E-2590102	Line safety switch, 1 A
											<b>Control, electrical supply between 240V and 480V</b>
			1	1	1		1	1	1	E-2504220	Transformer 208V-460V/230V
											<b>Control, electrical supply 240V and below</b>
								1		E-2504092	Main contactor 100 A, 230V
							1			B-2507081	Main contactor 65A, 230V
					1					B-2507061	Main contactor 35A, 230V
			1	1						B-2507041	Main contactor 20A, 230V
							1			B-2524209	Cable for electrode 35A/6mm <sup>2</sup>
											<b>Basic Control</b>
	1	1	1	1	1	1	1	1	1	B-2526201	Basic Mainboard
51	1	1	1	1	1	1	1	1	1	E-2502412	Control switch, double pole
			1	1	1	1	1	1	1	B-2120901	Mounting plate (Basic) until May 2014
	1	1								B-2120915	Mounting plate (Basic) until May 2014
					1	1	1	1	1	B-2120901	Mounting plate (Basic) since June 2014
	1	1	1	1						B-2120915	Mounting plate (Basic) since June 2014
											<b>Comfort Control</b>
	1	1	1	1	1	1	1	1	1	B-2526201	Basic Mainboard
51	1	1	1	1	1	1	1	1	1	E-2502412	Control switch, double pole
			1	1	1	1	1	1	1	B-2526401	Display (Comfort), with mounting plate + foil, until May 2014
	1	1								B-2526489	Display (Comfort), with mounting plate + foil, until May 2014
					1	1	1	1	1	B-2526401	Display (Comfort), with mounting plate + foil, since June 2014
	1	1	1	1						B-2526489	Display (Comfort), with mounting plate + foil, since June 2014
											<b>Comfort Plus Control</b>
			1	1	1	1	1	1	1	B-2526201	Basic Mainboard
51			1	1	1	1	1	1	1	E-2502412	Control switch, double pole
			1	1	1	1	1	1	1	B-2526403	Display (Comfort Plus), with mounting plate + foil, until May 2014
					1	1	1	1	1	B-2526403	Display (Comfort Plus), with mounting plate + foil, since June 2014
											<b>DS-Control</b>
	1	1	1	1	1	1	1	1	1	B-2526211	DS-Basic Mainboard (PCB)
51	1	1	1	1	1	1	1	1	1	E-2502412	Control switch, double-pole
			x	x	x	x	x	x	x	B-2526401	Display (Comfort), grey, with mounting plate + foil, until Dec. 2009
			x	x	x	x	x	x	x	B-2526403	Display (Comfort Plus), grey, with mount. plate + foil, until Dec. 2009
	x	x								B-2526487	Display (Comfort), yellow, with mount. plate + foil, from Jan. 2010 until May 2014
			x	x	x	x	x	x	x	B-2526445	Display (Comfort), yellow, with mount. plate + foil, from Jan. 2010 until May 2014
	x	x	x	x						B-2526487	Display (Comfort), yellow, with mount. plate + foil, since June 2014
					x	x	x	x	x	B-2526445	Display (Comfort), yellow, with mount. plate + foil, since June 2014
			x	x	x	x	x	x	x	B-2526447	Display (Comfort Plus), yellow, with mount. plate + foil, from Jan. 2010 until May 2014
					x	x	x	x	x	B-2526447	Display (Comfort Plus), yellow, with mount. plate + foil, since June 2014
	x	x	x	x	x	x	x	x	x	E-0605228	Temperature sensor for DS, incl. 6m cable
	x	x	x	x	x	x	x	x	x	B-2505207	Holder for temperature sensor incl. mounting set for E-0605228
	x	x	x	x	x	x	x	x	x	E-2505206	Fuse for light, fan, essence injector 1.6A, 5x20mm
	x	x	x	x	x	x	x	x	x	E-3516020	Fuse for essence injection 2.5A, 2x20mm
			x	x	x	x	x	x	x	E-2504039	Fuse for transformer (E-2504154) 5A, 5x20mm
			x	x	x	x	x	x	x	E-2504200	Transformer 230/24V/130VA

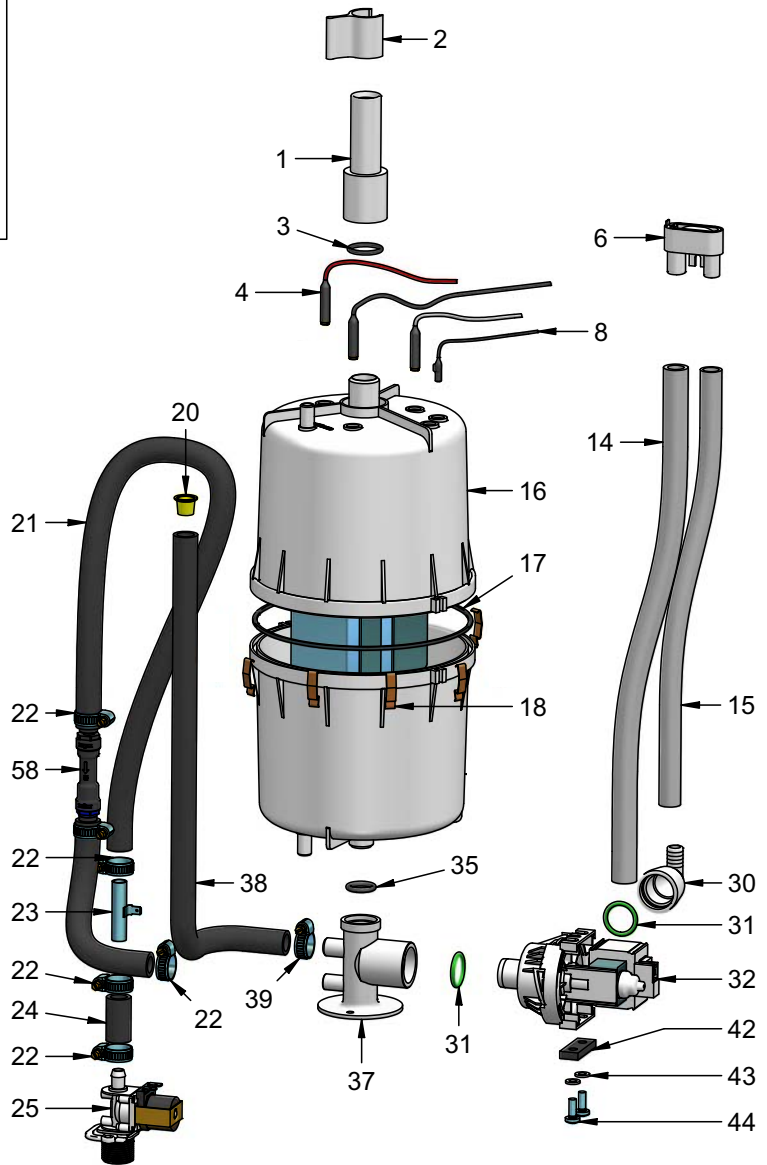
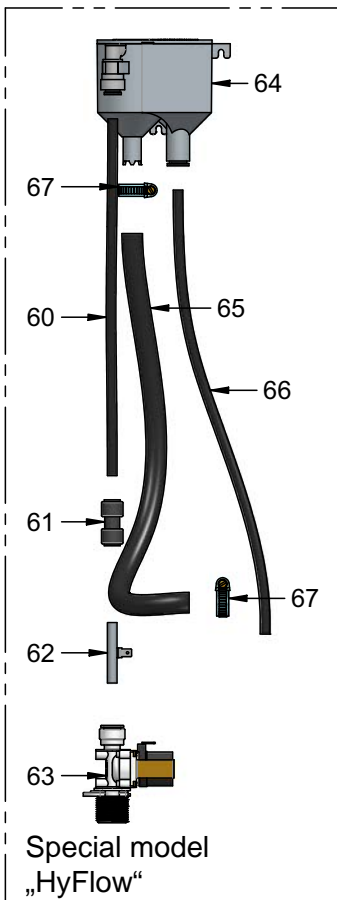
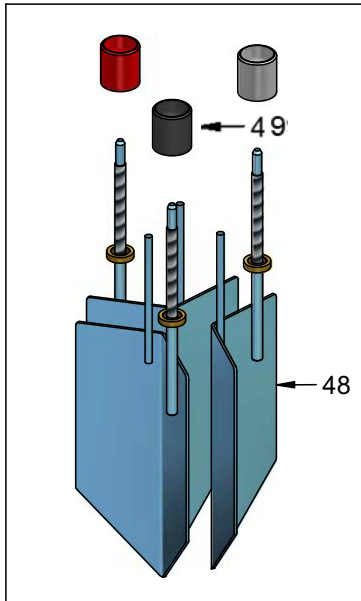
*	C01	C02	C06	C10	C17	C22	C30	C45	C58	Article No.	Description
<b>Essence Injection</b>											
	x	x	x	x	x	x	x	x		B-2604091	pump, peristaltic DSP9111; 230V/50Hz; 3l/h
	x	x	x	x	x	x	x	x		E-2604072	hose for peristaltic pump DSP9431
	x	x	x	x	x	x	x	x		E-2604074	hose for peristaltic pump DSP9111
	x	x	x	x	x	x	x	x		E-2604076	hose connector for silicon hoses, 6mm
	x	x	x	x	x	x	x	x		E-2604070	hose, silicon, for essence; 6x1,5
	x	x	x	x	x	x	x	x		B-2604067	T-piece for essence injection (DN25)
	x	x	x	x	x	x	x	x		B-2604069	T-piece for essence injection (DN40)
<b>Accessories</b>											
	x	x	x	x	x					E-2604012	Steam hose DN25, per m
				x	x					E-2604013	Steam hose DN40, for SPA application since 04.2010, per m
						x	x	x	x	E-2604013	Steam hose DN40, per m
	x	x	x	x	x	x	x	x	x	E-2604002	Condensate hose DN12, per m
	x	x	x	x	x					E-2404004	Steam hose clamp DN25
				x	x					E-2604016	Steam hose clamp DN40, for SPA application since 04.2010
						x	x	x	x	E-2604016	Steam hose clamp DN40
	x	x	x	x	x	x	x	x	x	E-2304015	Condensate hose clamp
	x	x	x	x	x					B-2604025	Steam solenoid valve 0-0,4bar, compl. for steam hose DN 25
				x	x					B-2604040	Steam solenoid valve 0-0.4bar, compl. for steam hose DN40, for SPA application since 04.2010
						x	x	x	x	B-2604040	Steam solenoid valve 0-0.4bar, compl. for steam hose DN40
	x	x	x	x	x					E-2604042	Connectors for steam distribution T-piece DN25, stainless steel
				x	x					E-2604023	Connectors for steam distribution T-piece DN40, stainless steel, for SPA application since 04.2010
						x	x	x	x	E-2604023	Connectors for steam distribution T-piece DN40, stainless steel
	x	x	x	x	x	x	x	x	x	E-2604021	Connectors for condensate T-piece DN12
	÷	÷	÷	1						B-2208005	Cylinder star
					1	1				B-2208007	Cylinder star
							1			B-2208013	Cylinder star
								1		B-2208009	Cylinder star
									1	B-2208011	Cylinder star
	1		1							B-3304061	Super flush complete
		1		1						B-2304063	Super flush complete
					1	1	1	1	1	B-2304065	Super flush complete
		x		x	x	x	x	x	x	B-2304067	Nozzle for Super Flush
	x		x							B-2304089	Nozzle for Super Flush
56	x	x	x	x	x	x	x	x	x	B-2304031	Water connection hose, flexible, 0,6 m 3/4", with connector
			x	x	x	x	x	x	x	B-3320406	Filling cup complete, until May 2014
<b>If you order any spare parts, please specify type and serial number of the unit.</b>											
* see Exploded View											
** If the Super Flush System is installed, consider to order also a new nozzle (B-2304079), please.											

### 13. Technical Data

Technical Data Steam Humidifiers CompactLine C01-C58										
Type	C01	C02	C06	C10	C17	C22	C30	C45	C58	
Steam Output [kg/h]	1,0	2,0	6,0	10,0	17,0	22	30,0	45,0	58,0	
Electrical Supply*	230V/1~N 50-60Hz		400V/3~N 50-60 Hz							
Electrical Power [kW]	0,75	1,5	4,5	7,5	12,8	16,5	22,5	33,8	43,5	
Current [A]	3,3	6,5	6,5	10,8	18,4	23,8	32,5	48,8	62,8	
Fuse [A]****	1x6	1x10	3x10	3x16	3x20	3x35	3x35	3x63	3x63	
Control Type	Basic, Comfort		Basic, Comfort, Comfort Plus							
Control Voltage	230V									
Steam Hose Connection [mm]	1x25	1x25	1x25	1x25	1x25	1x40	1x40	1x40**	2x40	
Condensate Hose Connection [mm]	1x9	1x9	1x9	1x12	1x12	1x12	1x12	1x12***	2x12	
Empty Weight [kg]	9	10	10	11	20	19	21	24	32	
Operational Weight [kg]	10	13	13	16	33	32	34	45	68	
Dimensions*****	Height [mm]	385	365	436	478	651	651	651	707	787
	Width [mm]	355	392	403	415	480	480	480	528	615
	Depth [mm]	171	221	208	238	308	308	308	343	394
Water Supply	100 x 10 <sup>3</sup> til 100 x 10 <sup>4</sup> Pascal, for ¾" external thread									

Technical Data Steam Humidifiers for SPA										
CompactLine C01-DS - C58-DS										
Type	C01	C02	C6	C10	C17	C22	C30	C45	C58	
Steam Output [kg/h]	1,0	2,0	6,0	10,0	17,0	22	30,0	45,0	58,0	
Electrical Supply*	230V/1~N 50-60Hz		400V/3~N 50-60 Hz							
Electrical Power [kW]	0,75	1,5	4,5	7,5	12,8	16,5	22,5	33,8	43,5	
Current [A]	3,3	6,5	6,5	10,8	18,4	23,8	32,5	48,8	62,8	
Fuse [A]****	1x6	1x10	3x10	3x16	3x20	3x35	3x35	3x63	3x63	
Control Type	Basic-DS Comfort-DS		Basic-DS, Comfort-DS, Comfort Plus-DS							
Control Voltage	230V									
Steam Hose Connection [mm]	1x25	1x25	1x25	1x40	1x40	1x40	1x40	1x40**	2x40	
Condensate Hose Connection [mm]	1x9	1x9	1x9	1x12	1x12	1x12	1x12	1x12***	2x12	
Empty Weight [kg]	9	10	10	11	20	19	21	24	32	
Operational Weight [kg]	10	13	13	16	33	32	34	45	68	
Dimensions*****	Height [mm]	385	365	436	478	651	651	651	707	787
	Width [mm]	355	392	403	415	480	480	480	528	615
	Depth [mm]	171	221	208	238	308	308	308	343	394
Water Supply	100 x 10 <sup>3</sup> til 100 x 10 <sup>4</sup> Pascal, for ¾" external thread									
***** Outer dimensions of width and depth. Height incl. drain connection.										
**** Times 1.3 power input after Full Blow Down. If expulsion fuses are used close to their specific limit we recommend to choose expulsion fuses with a higher range.										
*** The delivery includes Y-pieces to condensate return of two manifolds.										
** The delivery includes required Y-pieces for connection of two manifolds.										
* Other voltages on request.										

### 14. Exploded View



**15. View of housing**

