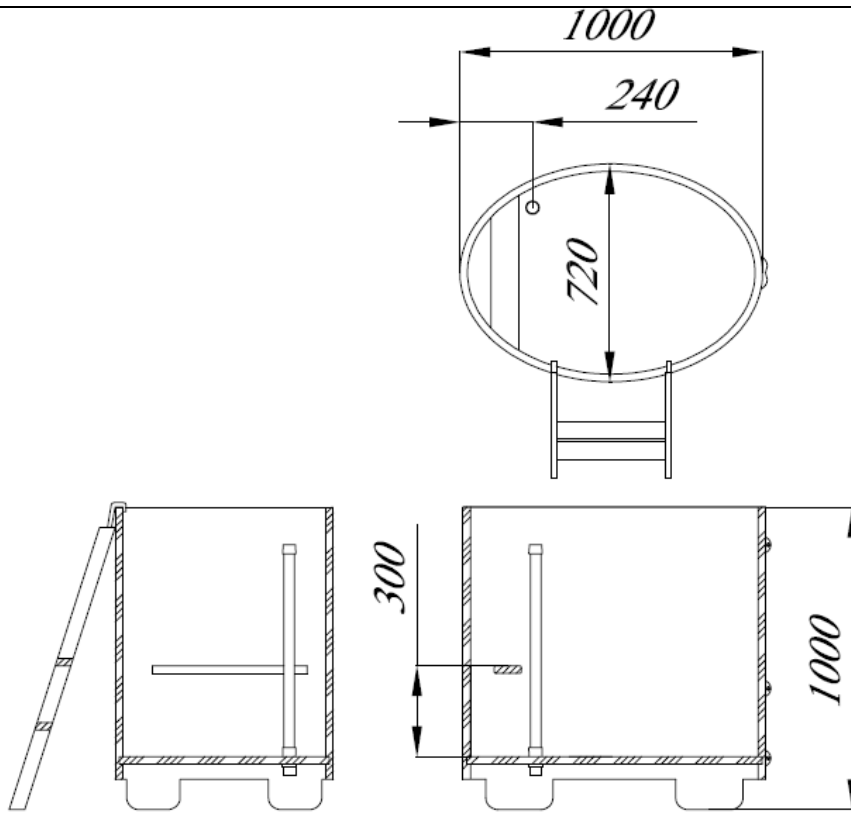
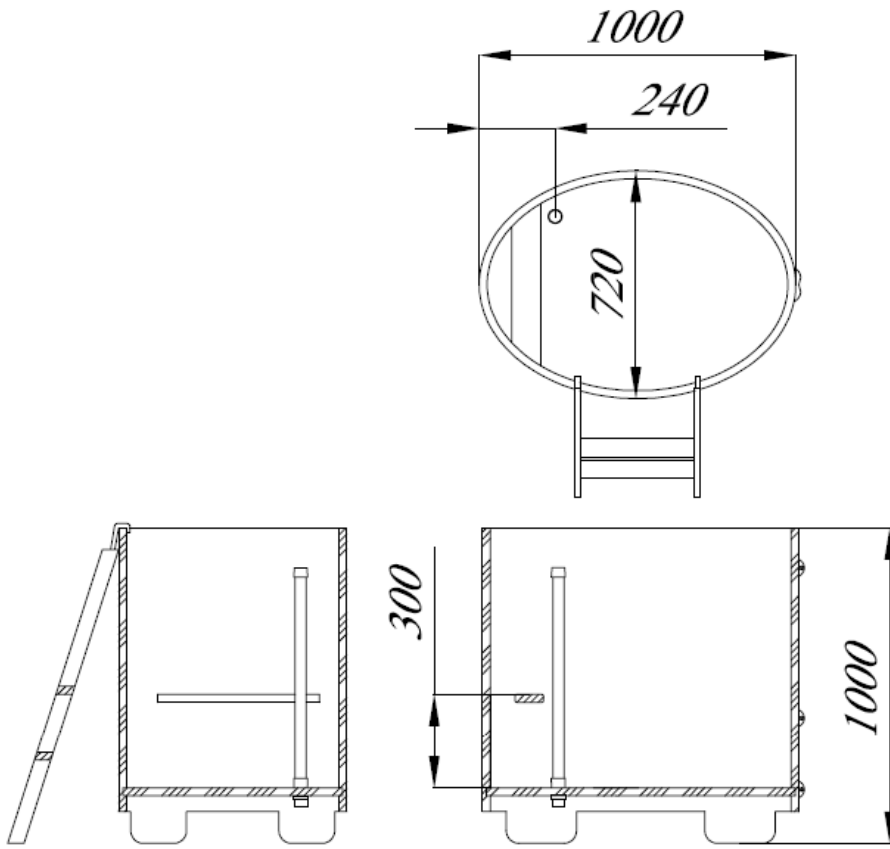


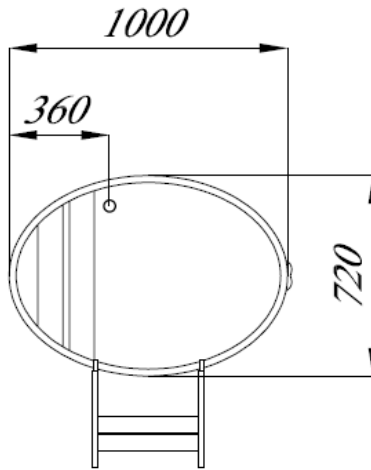
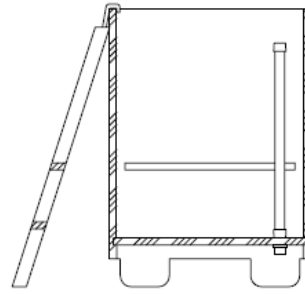
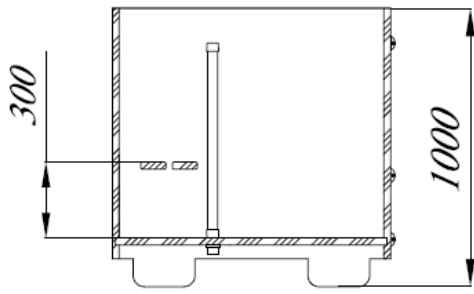
(100/1)



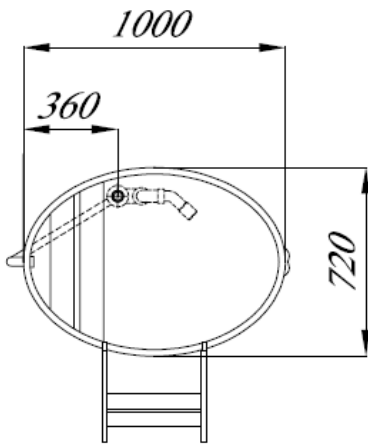
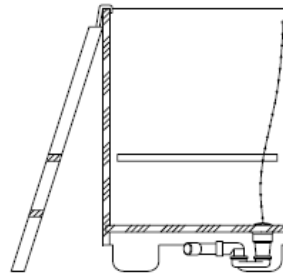
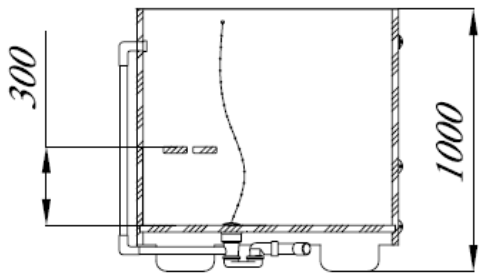
(100/2)



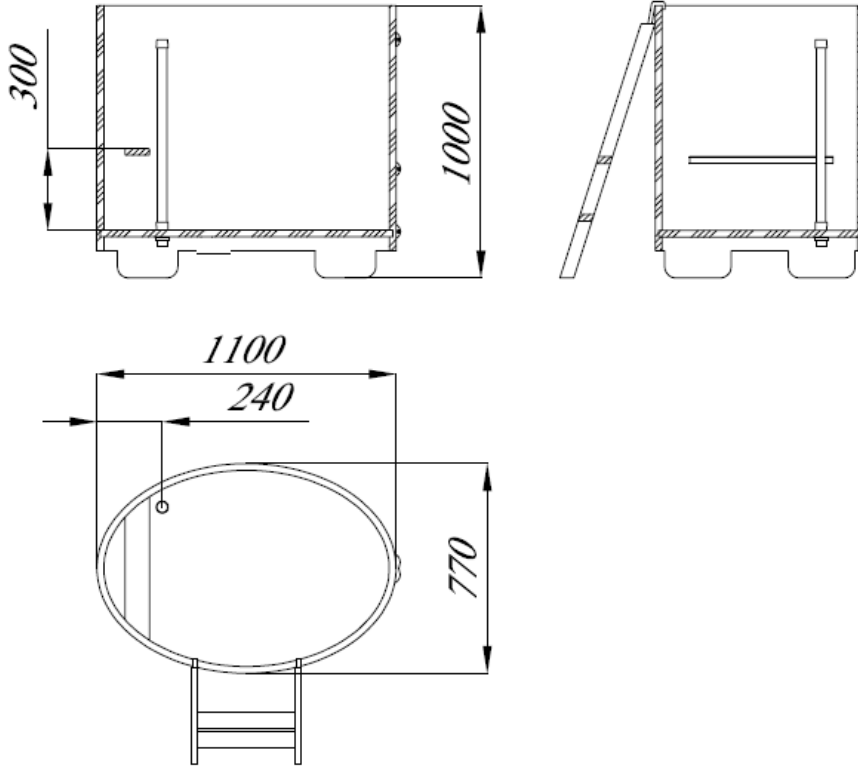
(100/3)



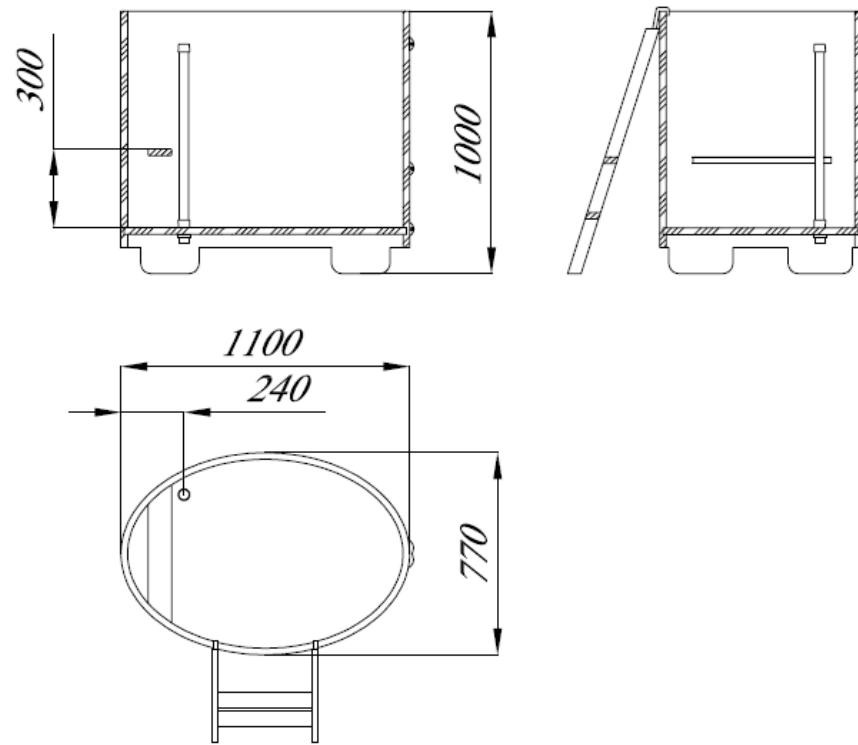
(100/7)



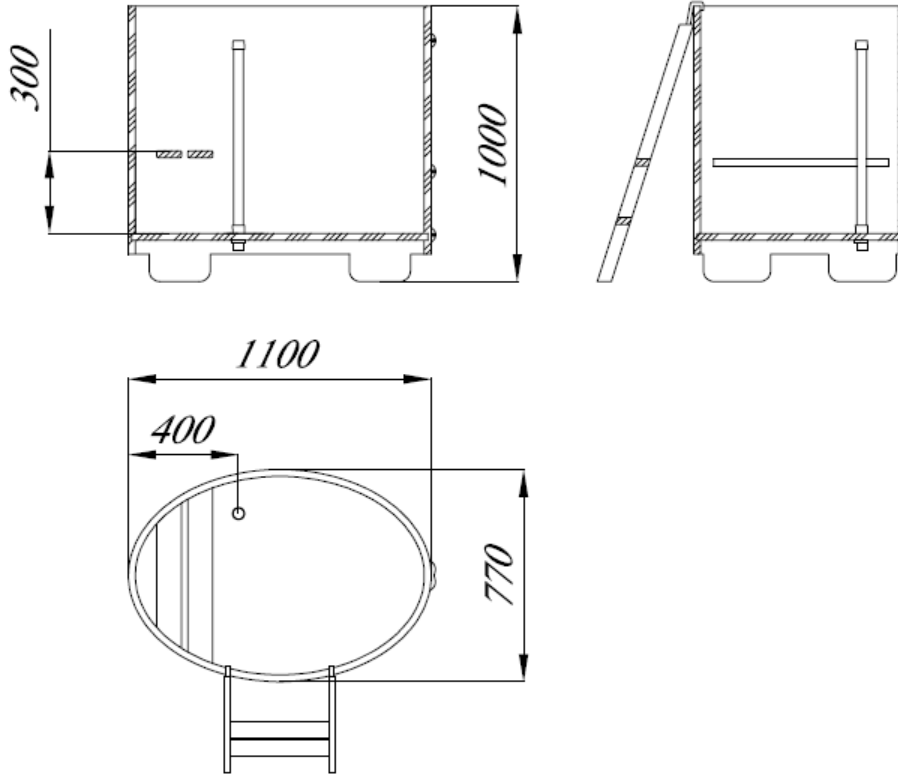
(110/1)



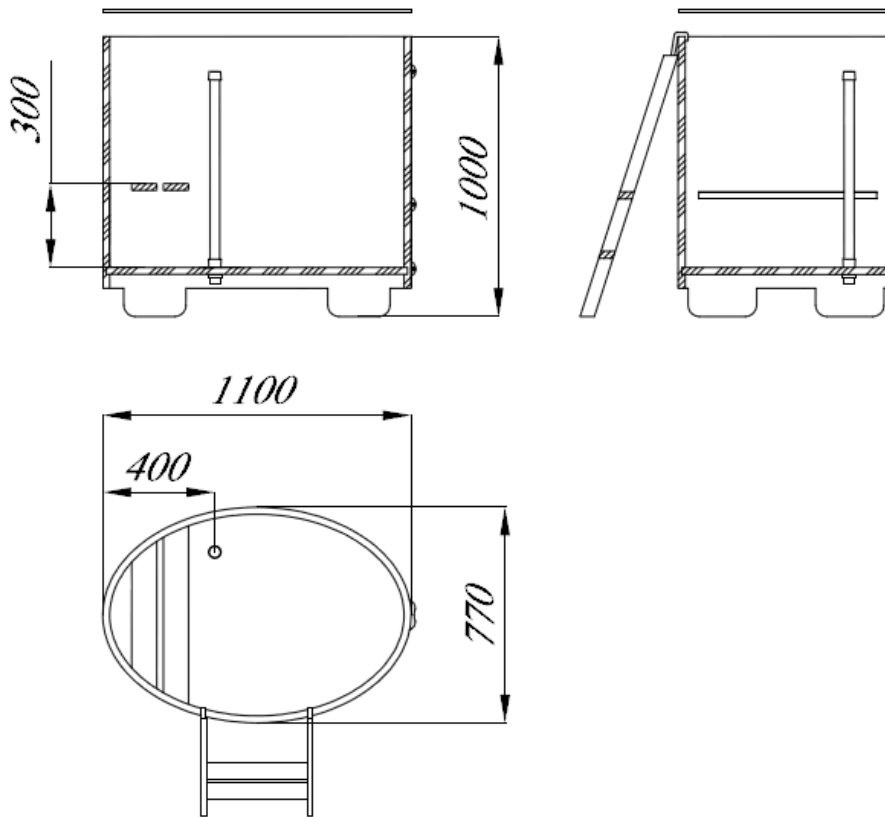
(110/2)



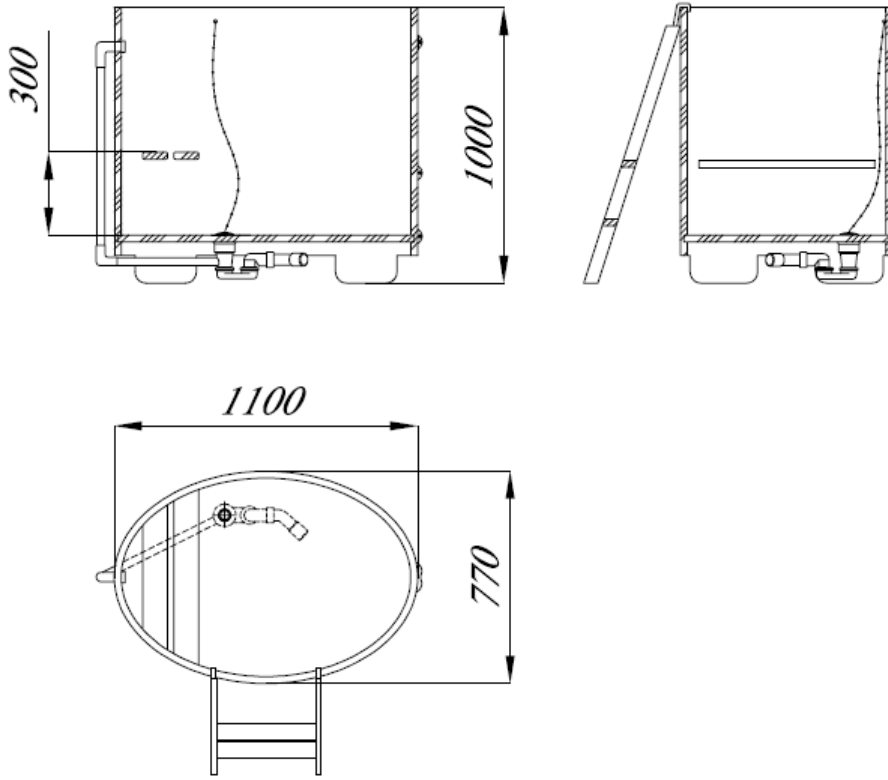
(110/3)



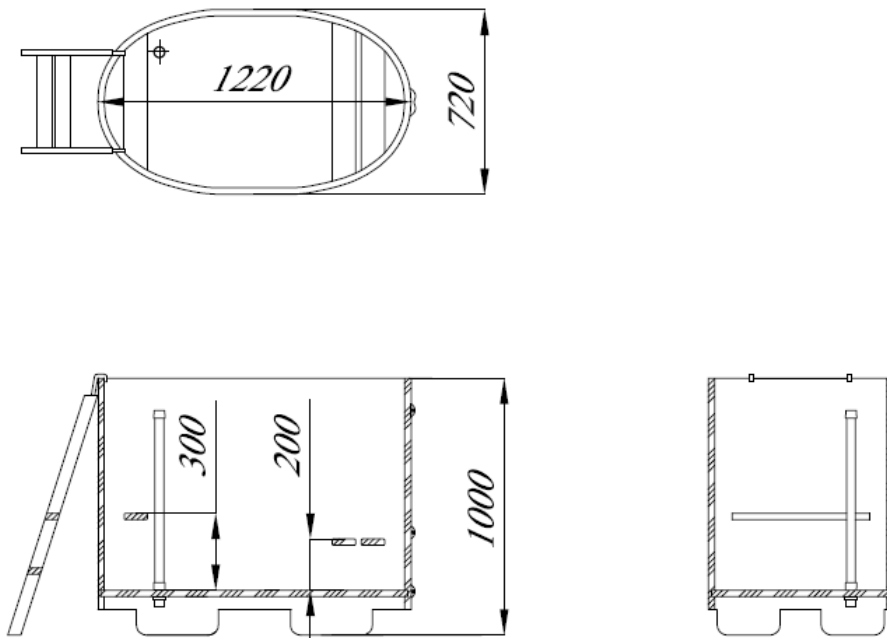
(110/4)



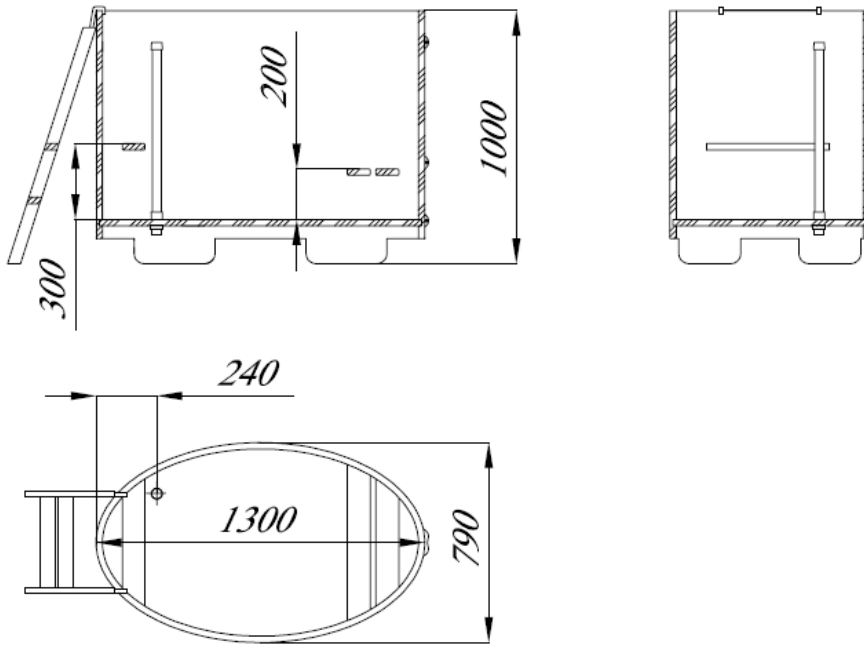
(110/7)



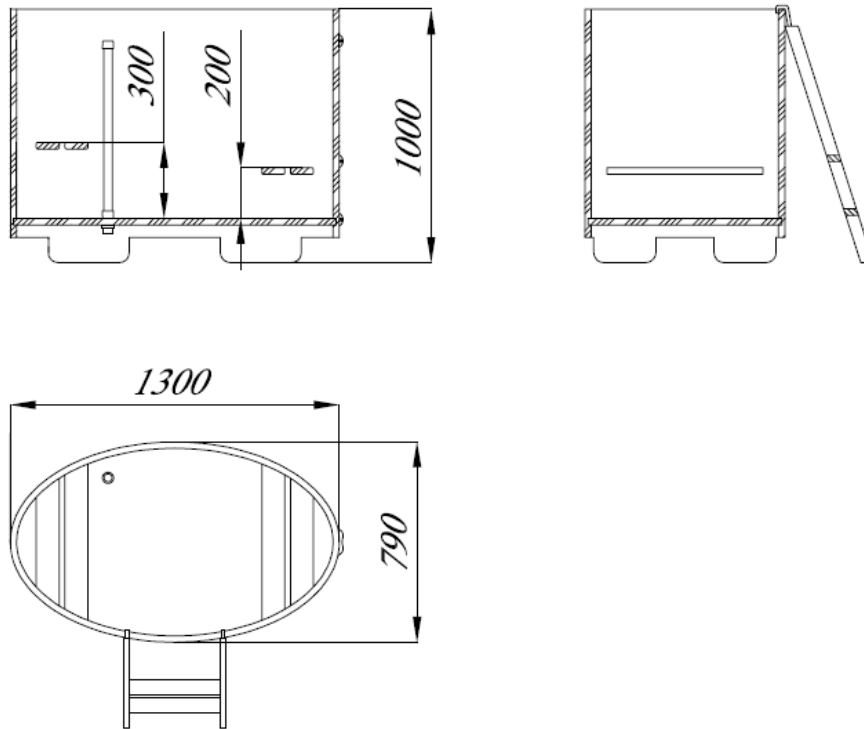
(122/3)



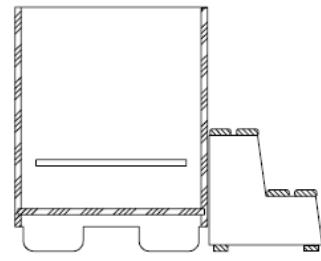
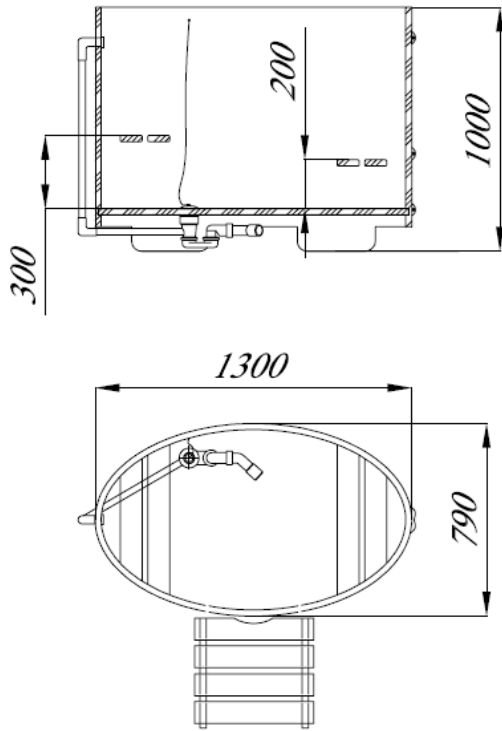
(130/3)



(130/5)



(130/7)



(130/8)

